

**RULA**

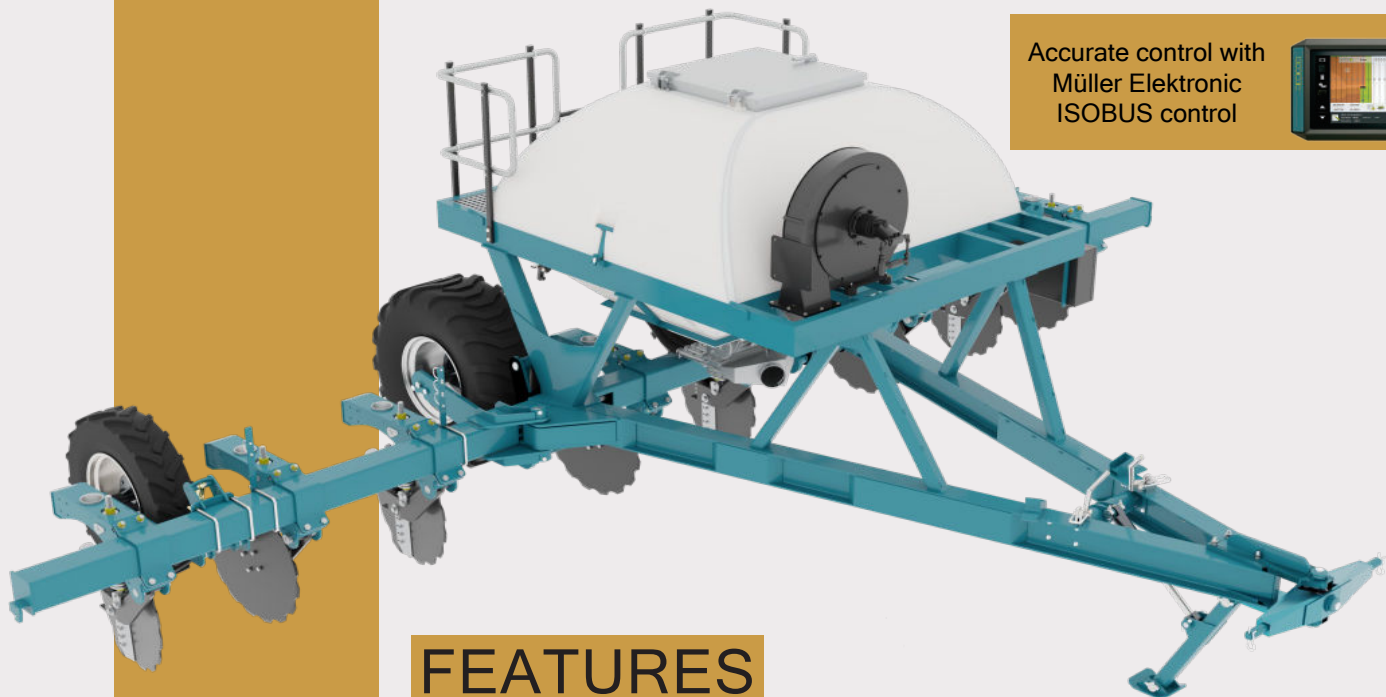
**AGRI**

# **RULA-AGRI**

## **MULTI-FERT PRE-PLANTER**



info@rula-agri.co.za  
www.rula-agri.co.za  
+27 (0) 11 795 1040



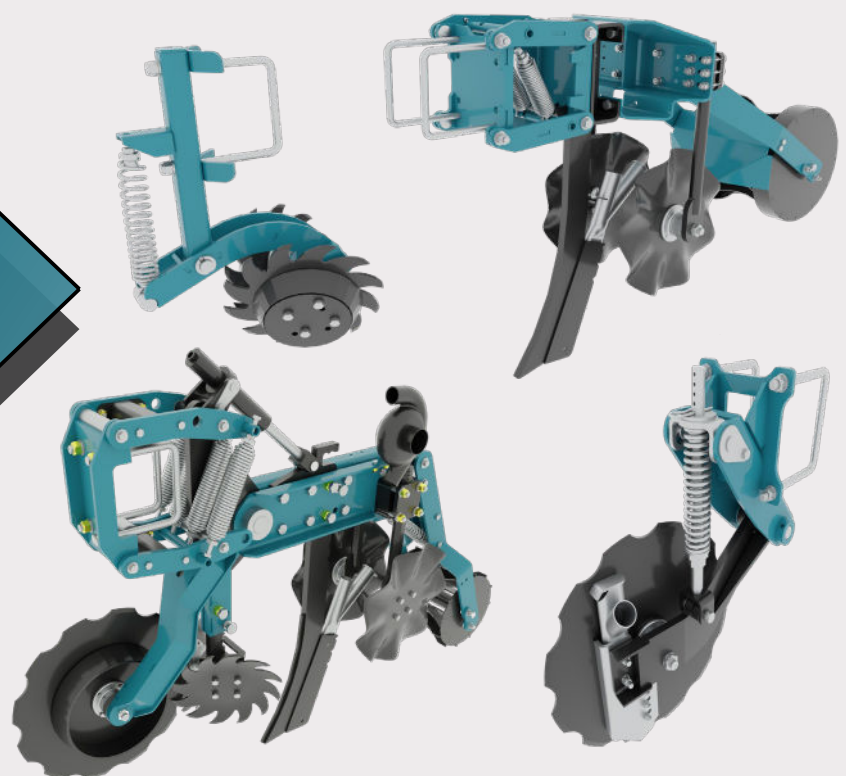
Accurate control with  
Müller Elektronik  
ISOBUS control



## FEATURES

- Bin options (Liquid or Granular Fertiliser):
  - \* 4000L
  - \* 6000L
  - \* 7000L (2 x 3500L)
- 800mm working ground height.
- Various possible combinations & capacities.
- Various applicator units.
- Can operate as a small pre-planter.
- Liquid or granular fertiliser.

## STRIP-TILL & COULTER UNITS



# RULA

## AGRI



DESIGNED AND  
MANUFACTURED IN  
SOUTH AFRICA



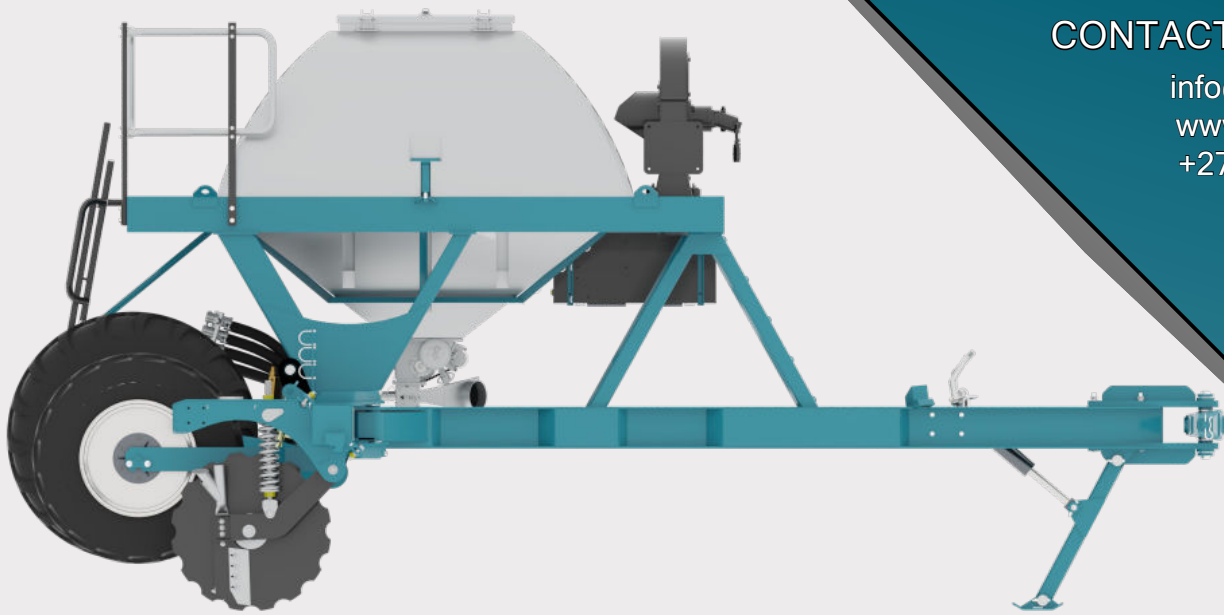
# MULTI-FERT PRE-PLANTER

CONTACT US TODAY

[info@rula-agri.co.za](mailto:info@rula-agri.co.za)

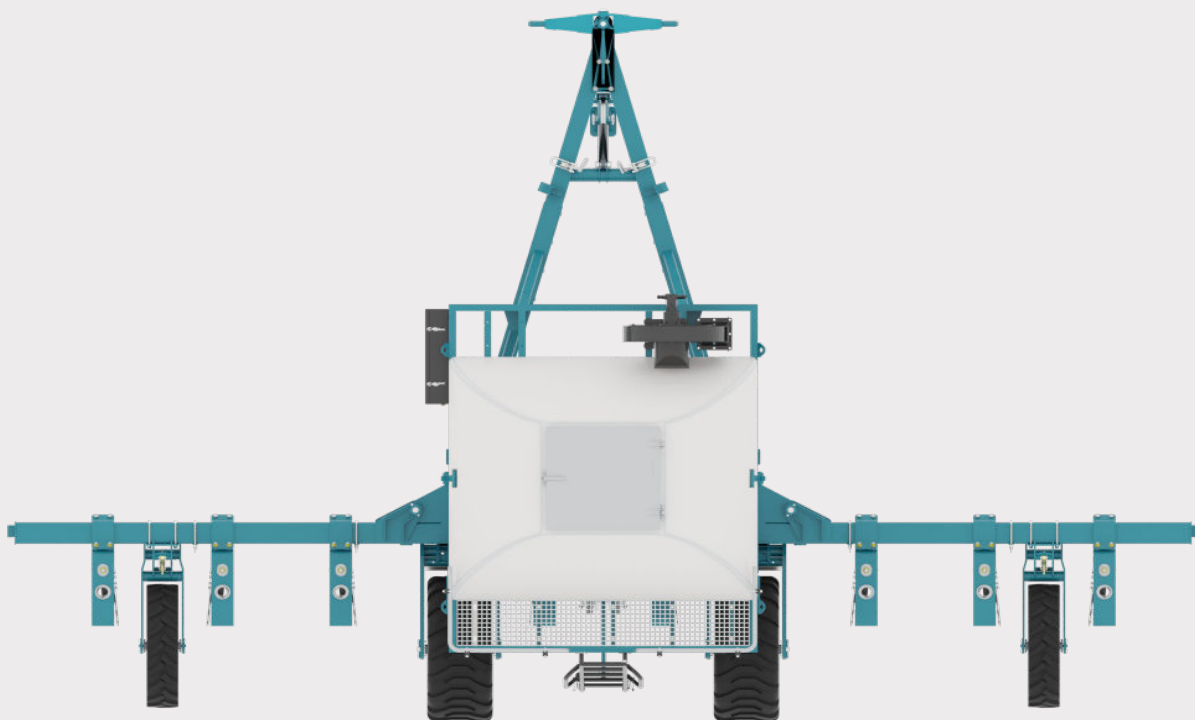
[www.rula-agri.co.za](http://www.rula-agri.co.za)

+27(0) 11 795 1040



## CONFIGURATION

Rula-Agri's Multi-Fert Pre-Planter allows it to be both compact and agile in its transportation. It is best suited for single product application between 6-12 row layouts (max 10m working width). The toolbar can accommodate a variety of fertiliser application types, with up to 7000L capacity tanks available. The tool can operate as both a pre-planter and a top dress tool to suite your requirements.



VARIOUS CONFIGURATIONS AVAILABLE

## SERVICES

Mechanical Design

Structural Design

Manufacturing

Finite Element Analysis

Bulk Material Handling

Flow Dynamics



Rula-Agri specialises in custom designs. Our wide range of engineering capabilities ensure that we are able to provide you with exactly what you and your farm require.  
**CONTACT US TODAY!**